



Sports Facilities

Gymnasium and Recreation Centres



We Know Audio

Gymnasium sound solutions.
Clear sound for the games and events.

Student activities within a school environment are enhanced by a quality sound system with intelligible audio.

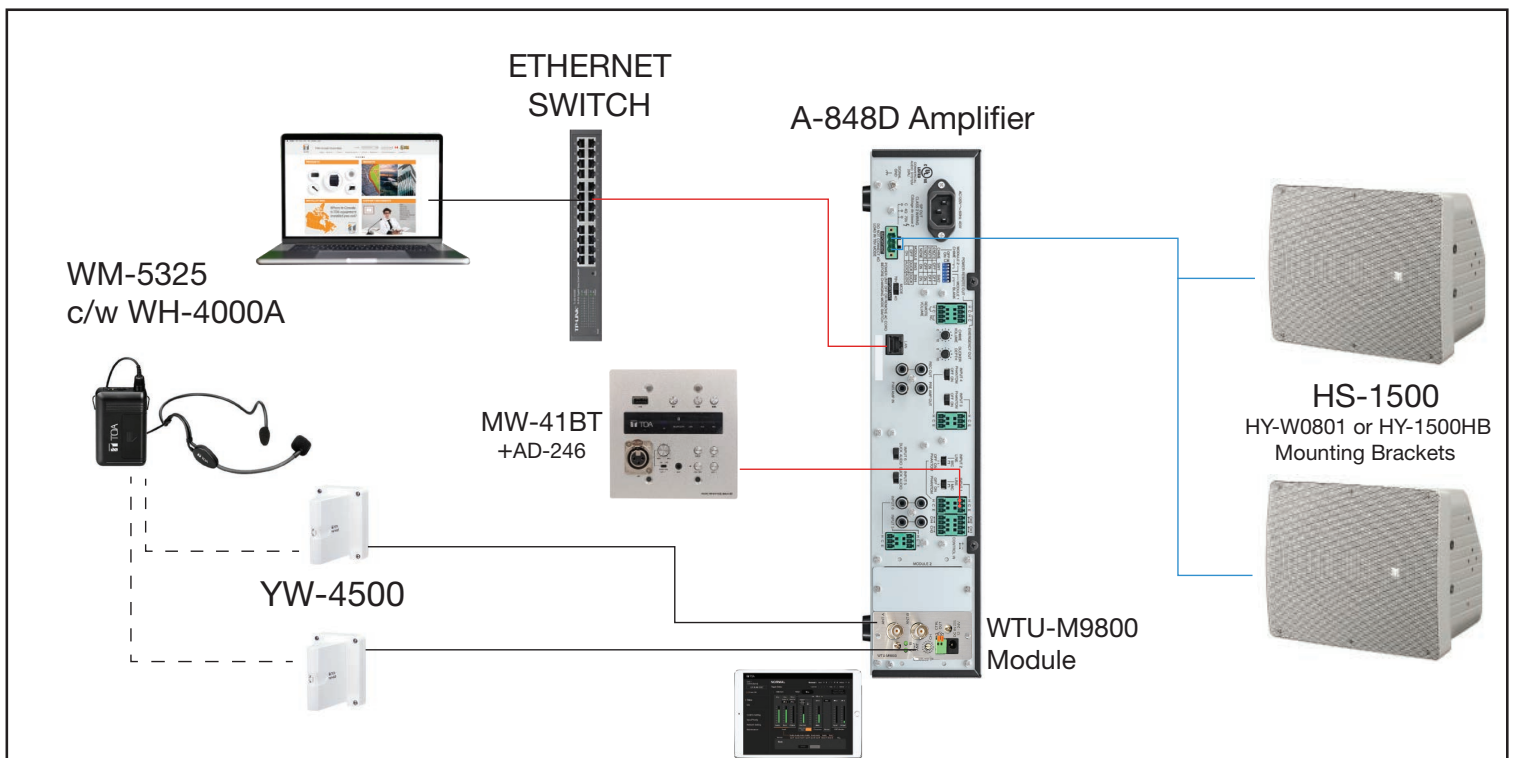
Educational institutions utilize their gymnasiums for many forms of student gatherings for such things as assemblies, sporting activities, and special events. When assessing an audio system for a small, medium or large gymnasium, a key factor is creating a sound atmosphere that is clear and easy to operate and capable of integration with the schools paging system for announcements and emergency messages.

Consider the variety of possible audio forms, speech, music, game announcements or even presentations, building an audio design for all occasions is vital. TOA's product offering of microphones, speakers and amplifiers along with additional sound altering tools, ensures that our solutions function clearly and maintain a high level of performance. TOA runs the gamut with previous installation from K-12 and post-secondary and continue to generate a sound quality with the proper equipment recommendations that complement the gymnasiums overall contours.

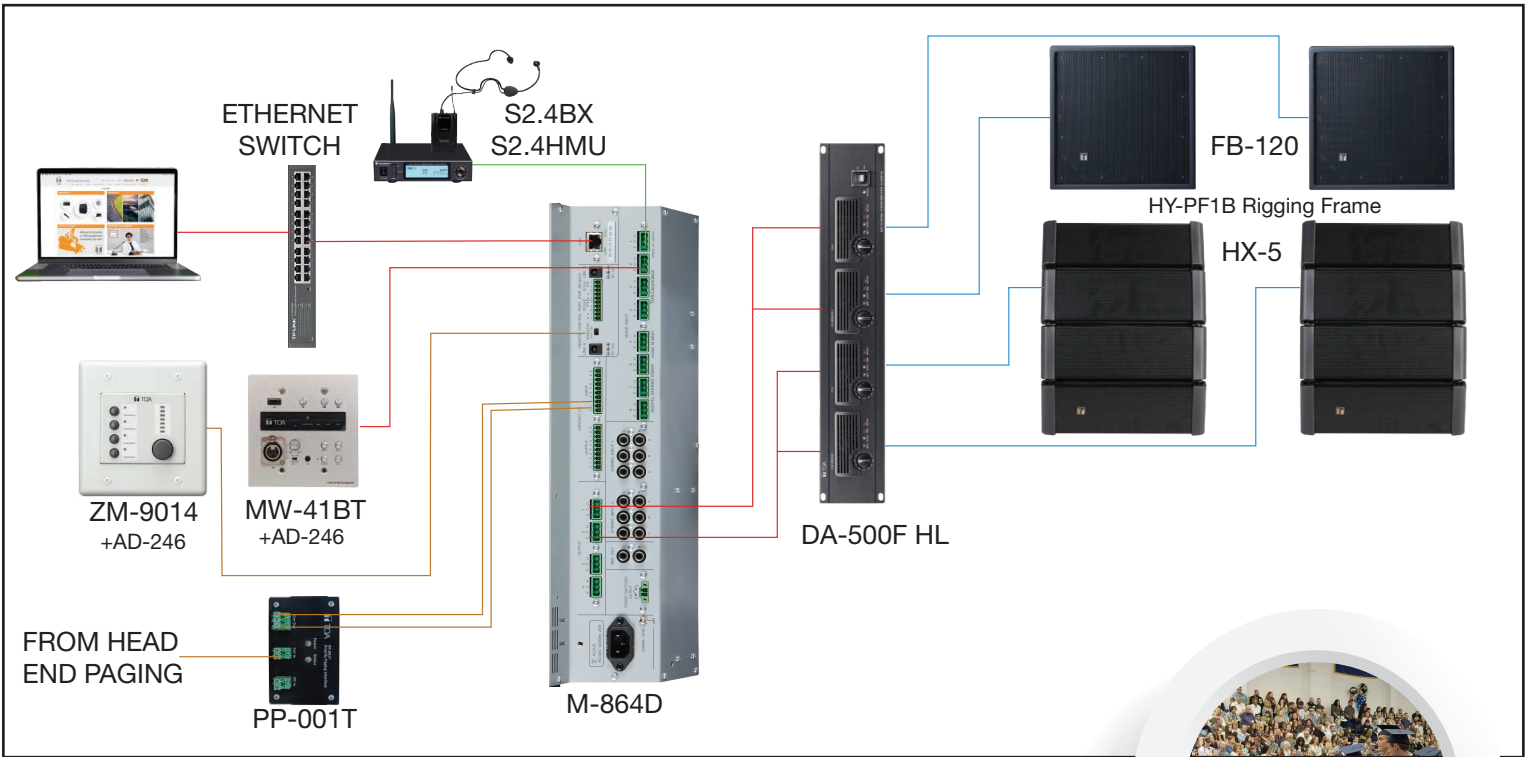
Take advantage of our cost-effective, flexible and highly durable equipment and outfit a gymnasium or multi-purpose room with high quality and well-respected audio solutions.



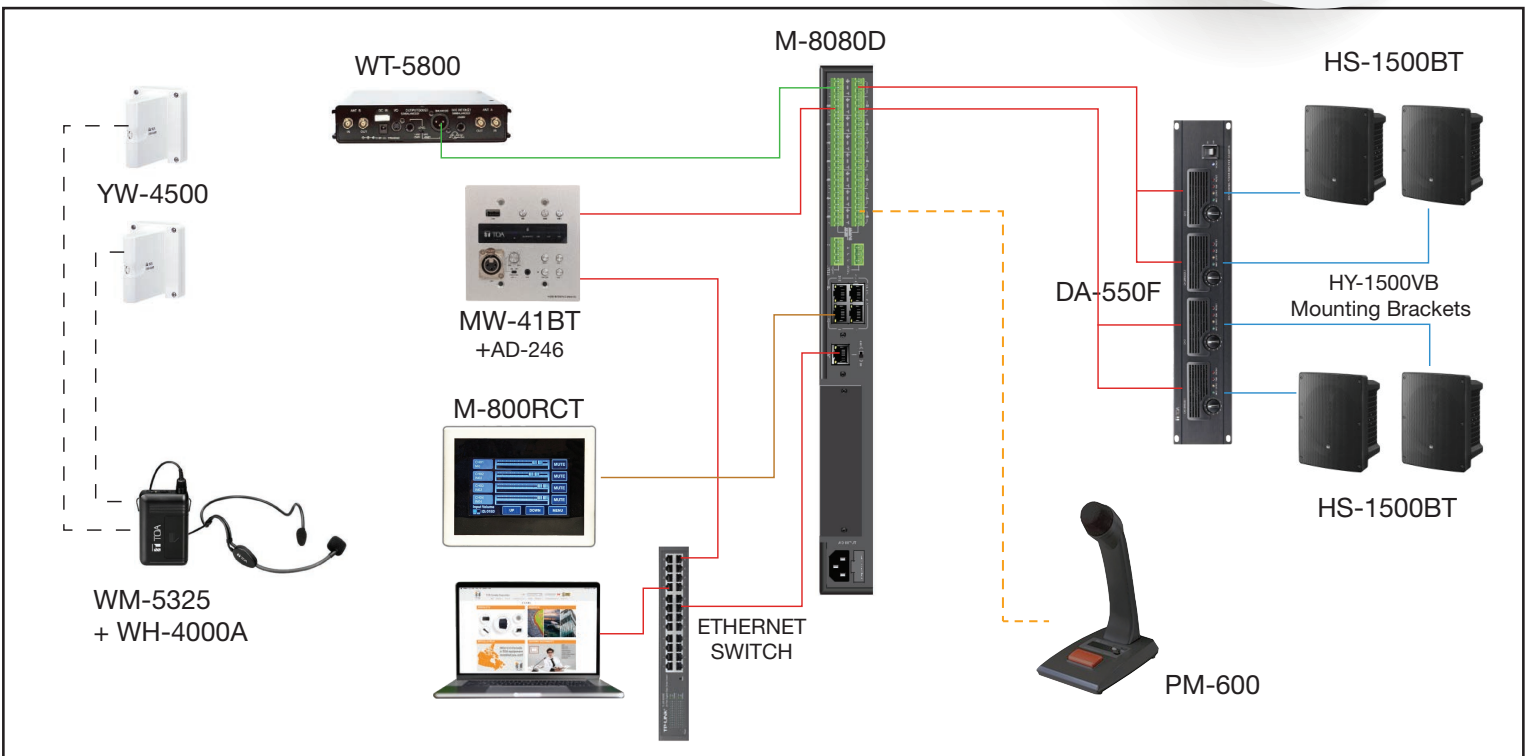
Option 1



Option 2



Option 3



Example components

Audio Processing



M-8080D system



M-864D



A-800D Series

DSP / Mixer

- 6 x 1 to 8 x 8 Channels
- App and/or browser control
- Networkable
- Advanced audio control processing
- Remote Troubleshooting
- Voice Evacuation integration

Gym Sound Dispersion



HX-5 with Sub

- Variable line array design
- 4 x low frequency speaker
- 12 x high frequency speaker



SR-T5

- Fixed line array design
- Impact resistant



HS-1500BT

- Coaxial Array
- 15" woofer

System Control



MW-41BT

- Bluetooth® input
- Microphone and line level inputs
- Priority on the Mic input



ZM-9014

- Four assignable buttons
- Controls Xpoint settings



M-800RCT

- Volume and routing control
- Route any input to any output



F-Series Ceiling Speakers

- Quality economy speaker
- Announcements & music



F-Series Box Speakers

- Extremely versatile
- 1000/1300/2000 - sizes



Horn Speakers

- Highly intelligible speaker
- Weather-Resistant

Vocal / Speech



Microphones

- Clear intelligible output
- 5000 Series
- S2.4 series

TOA Advantage

- Free Design Assistance
- Five Year limited warranty
- Canadian stocking
- Canadian tech support

Advanced Electronic Solutions Limited & TOA Canada Corporation: Empowering facilitators to educate the next generation.



We are your technology partner. AESL works with Saskatchewan schools to provide systems for sound, communications, classcall, clocks, emergency call, tracking, staff and public safety, security and access control, video surveillance, DAS cellular boosters, solar power, and electric vehicle chargers.

100 - 4002 Arthur Rose Avenue
Saskatoon, Saskatchewan, S7P0C9
E-mail: sselby@aesltd.com
Tel: 306-244-8030
www.aesltd.com



Formed in 1990 as a complete sound solutions provider for the Canadian market, specializing in commercial audio, including, public address, voice communications, voice evacuation and emergency paging requirements. TOA Canada Corporation offers complete solutions for all corporate and commercial audio communications and intercom requirements.

3670 Odyssey Drive, Unit 1
Mississauga, Ontario, L5M 0Y9
Tel: 1-(800) 263-7639
www.toacanada.com

Audio Solutions for Athletic Facilities

CONTACT TOA CANADA TO SEE WHAT WE CAN DESIGN FOR YOU

Peter Maclean
pmaclean@toacanada.com

TOA Canada Corporation
Tel: 1-800-263-7369
sales@toacanada.com • www.TOAcnada.com

